

**Compliant to British Standard
BS 8499:2009**



TRICEL
CONSTRUCTION

Gas door (UK standard mark 2 Meter box)

STOCK CODE: GDP0001

SPECIFICATION AND KEY FEATURES

- Compliant to British Standard BS 8499 : 2009.
- Constructed from GRP – Glass Reinforced Plastic.
- Will not corrode, weather resistant.
- Easily cleaned and can be painted.
- Hinges on right.

INSTALLATION

1. The right hand side of the box has pre-drilled holes into which the door pins are inserted.
2. Hold the door upright and insert the solid stainless steel pin into the bottom recess.

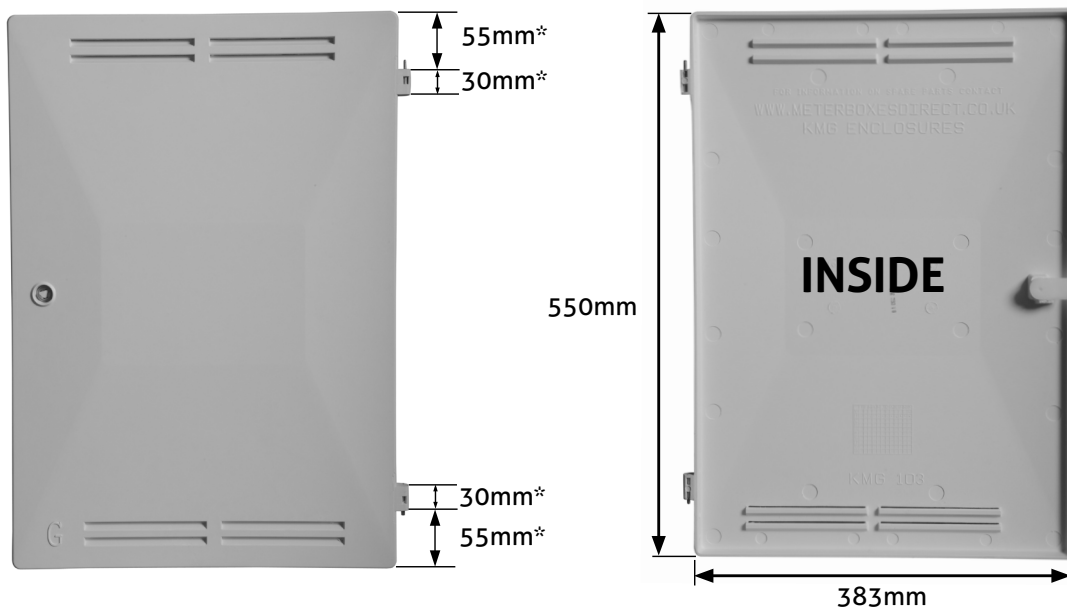
3. Press in the brass spring pin fully and slide into the top recess allowing the pin to spring back into the pre-drilled hole.
4. Close the door as normal and lock.

ASSOCIATED PRODUCT

Spare key (170001).

DIMENSIONS

550mm high x 383mm wide.



* Approximate dimensions.

In accordance with Tricel's normal policy of product development these specifications are subject to change without notice.

Tricel (Gloucester) Ltd. - Fox House, Stonedale Road, Stonehouse, Gloucestershire, GL10 3SA, United Kingdom.

Tel: +44 (0) 1453 791 616 | Email: sales@uk.tricel.eu | www.uk.tricel.eu