

6

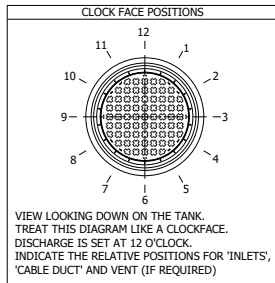
5

4

3

2

1

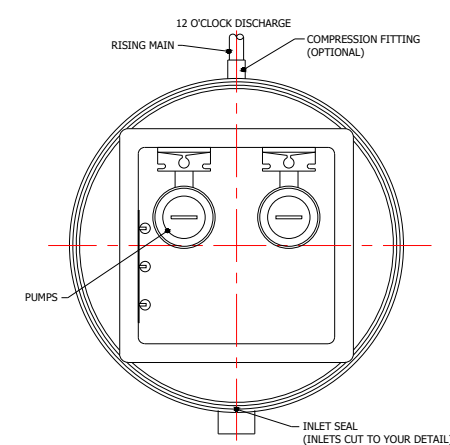
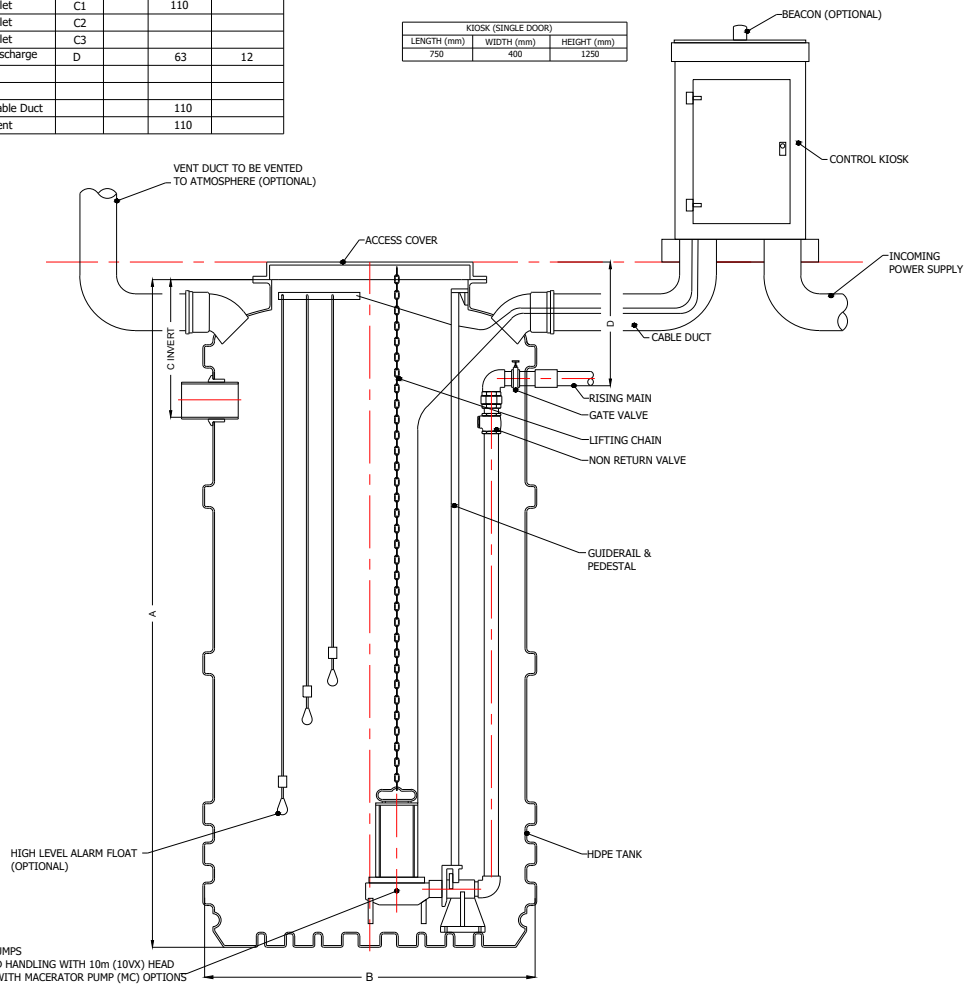


FABRICATION SPECIFICATIONS				
ITEM	INDEX	DEPTH (mm)	DIAMETER (mm)	CLOCKFACE POSITION
Tank Depth	A	2000		
Tank Dia.	B		1000	
Inlet	C1		110	
Inlet	C2			
Inlet	C3			
Discharge	D		63	12
Cable Duct			110	
Vent			110	

PLEASE NOTE THAT THIS DOCUMENT MUST BE READ IN CONJUNCTION WITH THE INSTALLATION & OPERATING GUIDELINES

KIOSK (SINGLE DOOR)		
LENGTH (mm)	WIDTH (mm)	HEIGHT (mm)
750	400	1250

COMMENTS
PLEASE NOTE - INLET INVERT SHOULD BE BETWEEN 400 -515mm
INLET SEALS AND DUCTS CAN BE SUPPLIED LOOSE TO BE CRILLED AND FITTED ON SITE.



2 NO. PUMPS
2" SOLID HANDLING WITH 10m (10XX) HEAD
PUMPS WITH MACERATOR PUMP (MC) OPTIONS

DRAWN BY Jc	DRAWING DATE 04/03/21	EFFECTIVE DATE 04/03/21	PRODUCT NAME: Tricel Mini 1700L Twin	PRODUCT NUMBER: 104451	ACC NUMBER:		
TOLERANCE: +/- 5			MATERIAL: MDPE	SCALE: NOT TO SCALE	DRAWING TYPE: FG		
UNITS: mm			DRWG NO: N/A	TANK REVISION: 0	REV. NO. 0		PAGE SIZE: A4
JOB NUMBER: N/A			WEIGHT (KG): 115	PROJECT NO:	ECO NO:		COUNTRY: UK

6

5

4

3

2

1