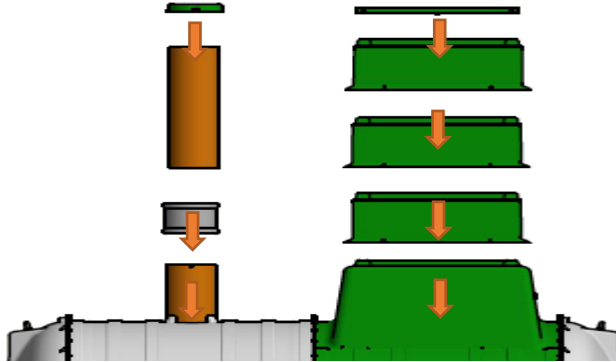


Turret Riser Installation

NOTE : All installation work to be carried out by a trained competent person

Caution : Always isolate electricity before commencing any installation

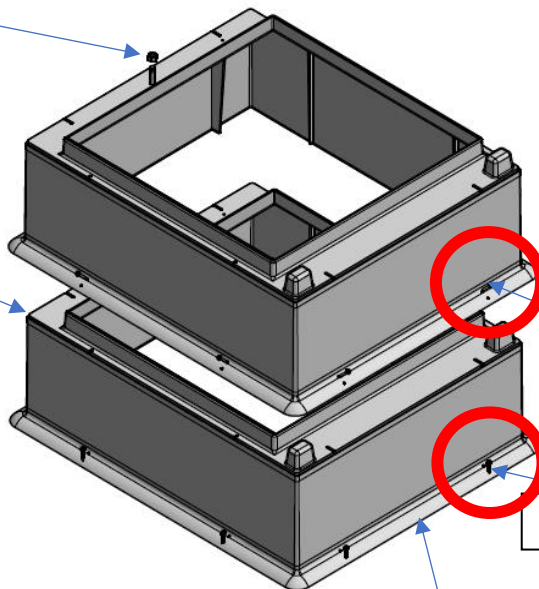


Desludging Cover

- A. Take off desludge cover
- B. Apply a bead of silicone around the insides of both sides of the joiner to seal.
- C. Put Joiner on pipe already in place.
- D. Put extension in place.
- E. Apply another bead of silicone to the outside of the joiner to ensure water tight seal.
- F. Place desludging cover onto pipe as before.

Point 11

Point 5: Bead of silicone on top edge of riser.



Point 8

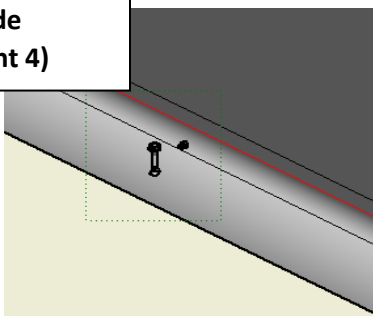
Point 4

Point 2: Bead of silicone on underside of flange.

Turret Riser

1. Take off access cover. Disconnect any electrics or pipework if necessary.
 2. Apply a bead of silicone around the inside curved flange edge of the first riser.
 3. Place the riser flange down on the turret.
 4. Secure the riser in place using 8 M6 x 25mm tech screws. Insert screw at 90 a degree angle.
- Where more than a 250mm rise in required.**
5. Apply a bead of silicone all around the top edge of the riser.
 6. Place the another 250 mm riser in position on top of first riser.
 7. Repeat steps 5 and 6 for a 750mm rise.
 8. secure the riser in place using 8 M6 x 25 tech screws. Insert screws at a 45 degree angle
 9. Apply a bead of silicone on inside of the riser to riser joint. Make sure a good water tight seal is achieved.
 10. Place the access cover back in position and reconnect any electrics.
 11. Secure access in position using M12 bolt

Secure Riser to Turret using the 8 outside Indents. (see point 4)



Secure Riser to Riser using the 8 inside Indents. (see point 8)

